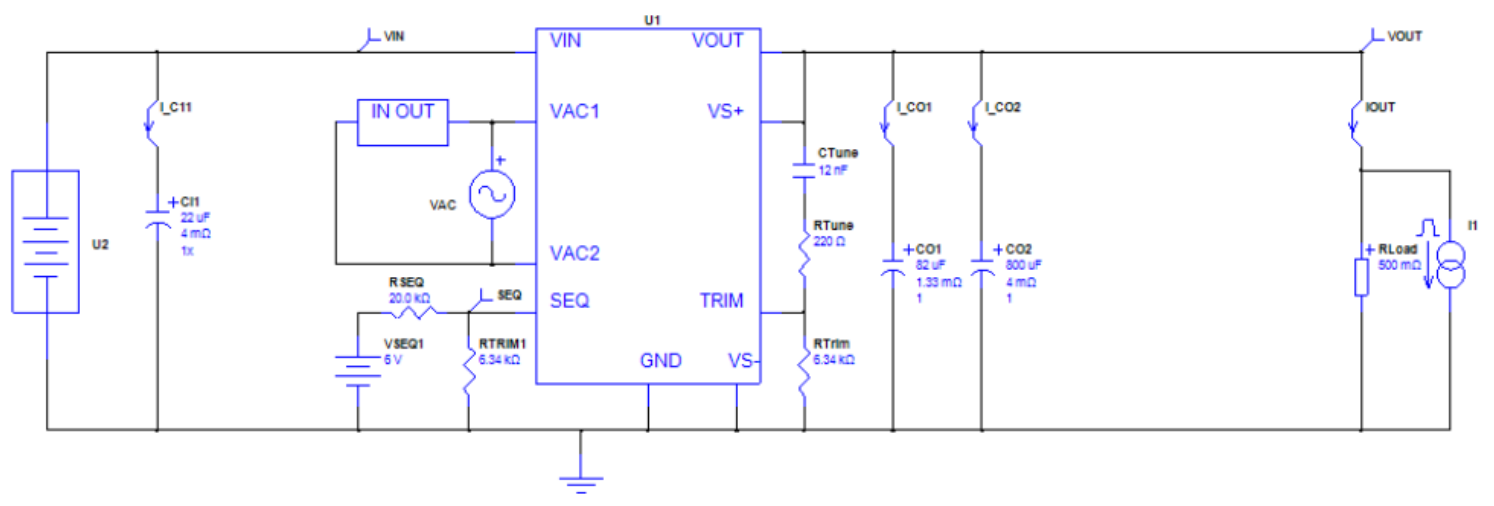




Summary Report: 12A Digital PicoDLynx Simetrix

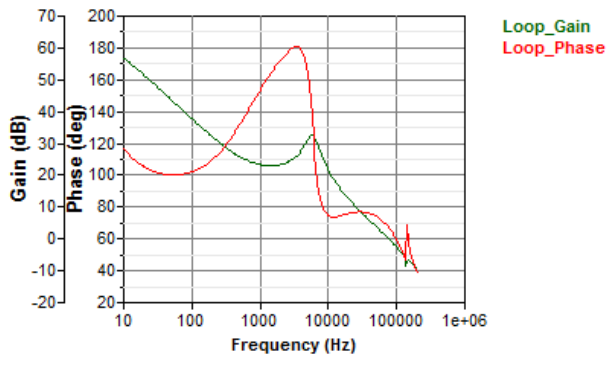
Operating Conditions		
Vin	5	V
Vout	2.5	V
Iout	5	A

Bill of Materials		
Subcircuits	Quantity	Part Number
U1	1	
U2	1	
Capacitors	Quantity	Capacitance
CO1	1	82uF
CO2	1	800uF
CTune	1	12nF
CI1	1	22uF
Resistors	Quantity	Resistance
RLoad	1	500mΩ
RTune	1	220Ω
RTrim	1	6.34kΩ
RTRIM1	1	6.34kΩ
RSEQ	1	20.0kΩ



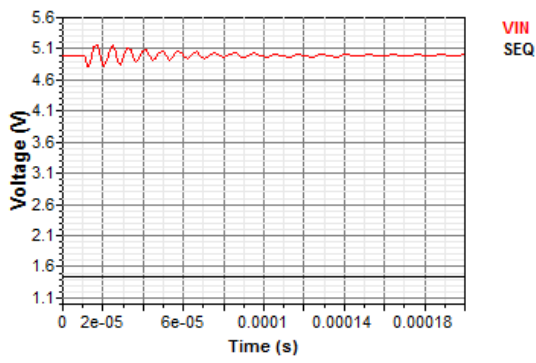
AC Results

Bode Plot



Transient Results

Input



Output

